



Dishwashing

EVO Generation - Concept

DISHWASHER CO-112 B DD

DIMENSIONS

		Article	Packed
Length	mm	665,00	870,00
Depth	mm	775,00	950,00
Height	mm	1.540,00	1.750,00
Weigth	Kg	135,00	150,00
Volumen	m3		1,45

ELECTRICITY

Electric power	KW	
230V -1+N		2x16+T - 63 A
230V - III		3x6+T - 40 A
400V - III+N		4x2,5+T - 25 A

WATER

Water consumption (lit/h)	96,00
Pressure (Kg/cm2)	2 ÷ 4

GAS

Not used

STEAM

Not used

AIR

Not used

LEVEL SOUND

(dB) 65,00

DISHWASHER CO-112 B DD

Hood type dishwasher - EVO Generation - Concept range.

Hourly production: 40 baskets/hour - 720 dishes/hour.

Clearance (max ware height): 440 mm.

Electronic control.

Wash cycles: 90" - 120" - 180".

Made of stainless steel.

Counterbalanced hood.

Double rotating wash and rinse systems, made of AISI-304 stainless steel.

Wash pump, 600 W each.

Drain pump: 70 W. Drainage cycle.

Tank with 4.5 kW heating power.

Tank capacity: 34 litres.

Boiler heating power: 6 kW.

Boiler capacity: 9 litres.

Water consumption: 2.4 litres/rinse.

Thermostatic temperature control: washing at 60°C and rinsing at 90°C.

Thermostop.

Safety thermostats.

Built-in automatic rinse dispenser and detergent doser.

Built-in non-return valve.

Safety magnetic switch for hood opening.

Adjustable legs.

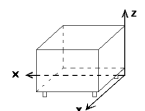
Water protection rating: IPX4

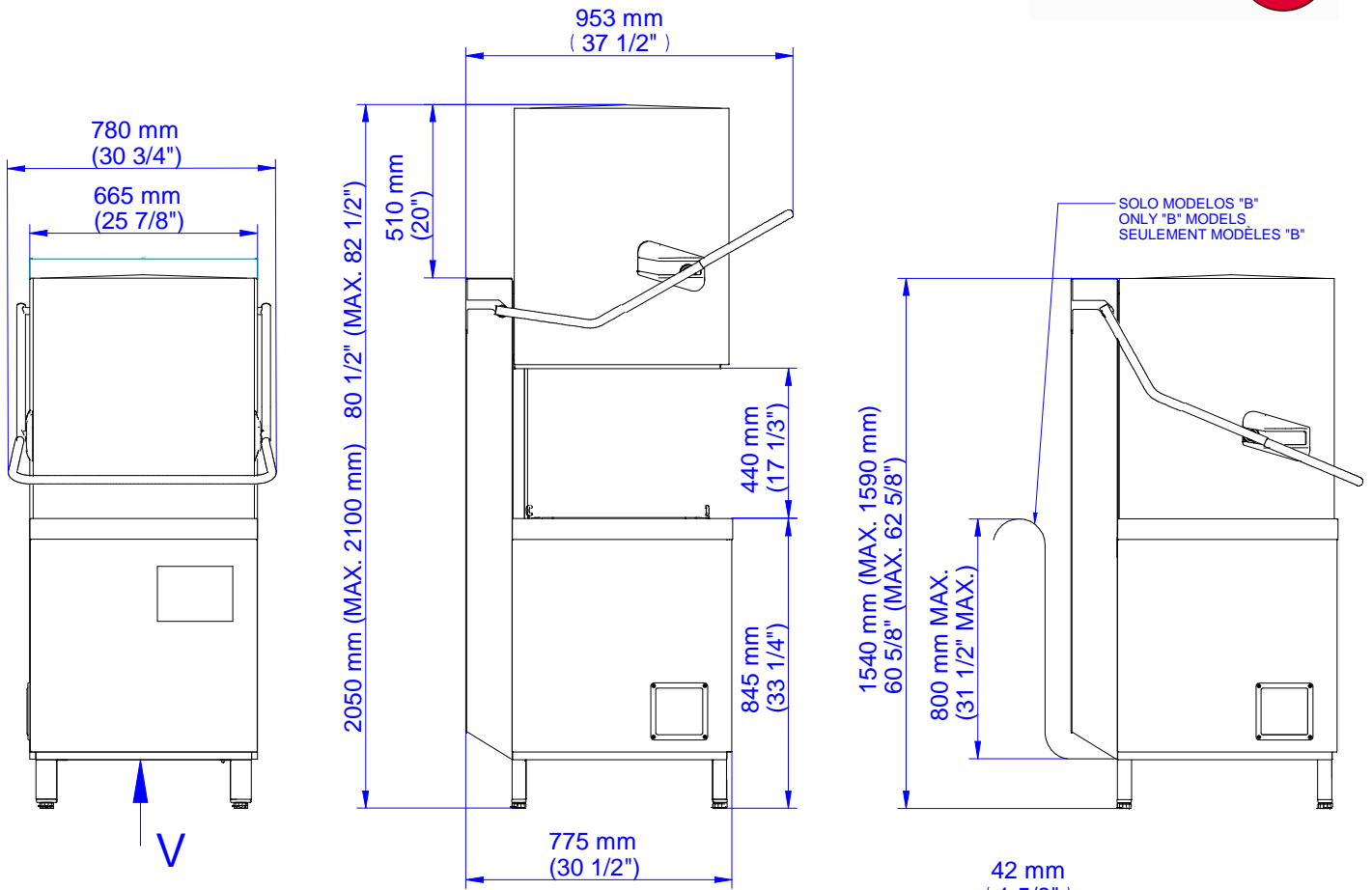
Total power: 6.60 / 11,1 kW.

Dimensions: 665 x 775 x 1540 mm (2050 mm open hood).

Baskets equipment: 1 x CT-10, 1 x CP-16/18 and 2 cutlery containers.

Connections points	X	Y	Z	Diameter	Information
ELECTRICITY	210	50	65		
SOFT COLD WATER	305	50	65	3/4"	
DRAIN	370	50	65	30 x 25	





SOLO MODELOS "B"
ONLY "B" MODELS
SEULEMENT MODÈLES "B"

- A: ENTRADA DE AGUA
- E: ALIMENTACIÓN ELÉCTRICA
- D: DESAGÜE

- A: WATER INLET
- E: ELECTRICAL CONNECTION
- D: DRAIN

- A: ARRIVÉE D'EAU
- E: CONNEXION ÉLECTRIQUE
- D: VIDANGE

V

