



Catalogue
CATERING
Chapter
COOKING

Model
MG7-10 BM LPG 230V 1N 50/60Hz

19006391

17/12/2018

GAS BOILING PAN, MG7-10-BM
Made of stainless steel.
Capacity: 80 litres. Double jacket pan (bain-marie system).
Counterweighted folding lid.
Stainless steel burner, with safety valve and thermocouple.
Safety device for the bain-marie extinguishes the burner in the event of low water level.
Cold and hot water filling tap.
Drainage tap.
Filling tap and control tap for the level of the double jacket pan (bain-marie).
Over-pressure safety valve.

DIMENSIONS



X Width	700 mm	X Gross width	740 mm
Y Depth	775 mm	Y Gross depth	915 mm
Z Height	850 mm	Z Gross height	1160 mm
Net Weight	88,0 kg	Gross Weight	104,0 kg
Net volume	0,461 m3	Gross volume	0,785 m3

ELECTRICITY TECHNICAL SPECIFICATIONS

Voltage	230V - 1N
Electric frequency	50/60Hz

GAS TECHNICAL SPECIFICATIONS

Gas type	LPG
Gas power	17,00 kW
Gas consumption	1,420 kg/h
Regulated	LPG G30/G31 28-30/37 mbar NG G20/G25/G25.1 20/25/25 mbar

WATER TECHNICAL SPECIFICATIONS

Pressure	H2O: 200-400kPa(2-4bar)
----------	-------------------------



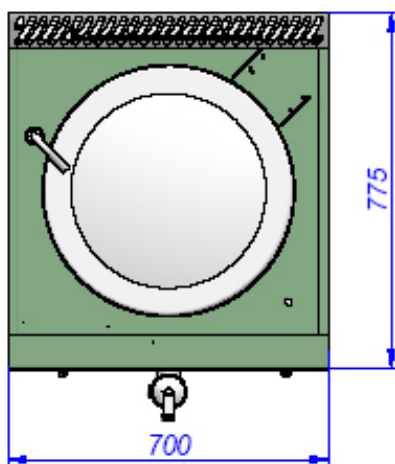
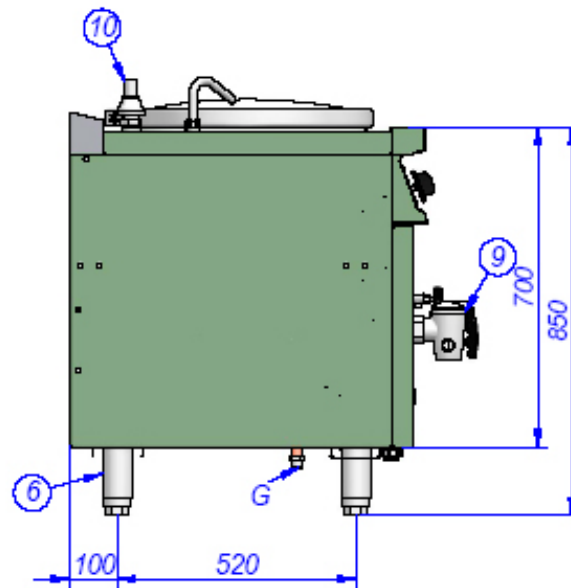
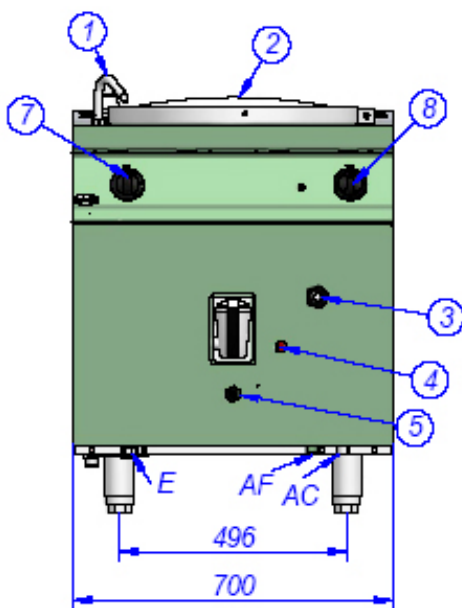
Catalogue
CATERING

Chapter
COOKING

Model
MG7-10 BM LPG 230V 1N 50/60Hz

19006391

17/12/2018



- G: Entrada de gas
- AF: Agua fría
- AC: Agua caliente
- E: Conexión eléctrica
- 1: Tubo llenado
- 2: Cuba
- 3: Mirilla de llama
- 4: Grifo de vaciado
- 5: Orificio de encendido manual
- 6: Pata regulable
- 7: Válvula de gas
- 8: Grifo entrada agua
- 9: Grifo de vaciado
- 10: Válvula de seguridad

- G: Gas inlet
- AF: Cold Water
- AC: Hot Water
- E: Electrical connection
- 1: Filler pipe
- 2: Tub
- 3: Flame inspection window
- 4: Drainage tap
- 5: Manual ignition hole
- 6: Adjustable leg
- 7: Gas valve
- 8: Water intake control
- 9: Drainage tap
- 10: Safety valve